

M.4

hex 27

Pressure switches hex 27

Changeover with silver or gold contacts



- Switching point can be adjusted when fitted on site ¹⁾
- Factory adjustable hysteresis (except types 0140 and 0141)
- High overpressure safety and long service life under harsh conditions
- Operating voltage up to 250 V
- Series 0140 / 0141 with protective insulation
- For ready-wired customized versions refer to chapter M.5, starting at page 62
- For pressure switches with integrated connectors refer to chapter M.2, starting at page 32

¹⁾ Pressure switches can also be supplied preset at factory.
Our preset switches are sealed with lacquer paint, set points are embossed on the housing.

Pressure switches hex 27

Technical data

M.4

hex 27



Temperature resistance of sealing materials:	NBR (max. overpressure up to 100 bar)	-30 °C ... +100 °C
	NBR (max. overpressure up to 300 bar)	-40 °C ... +100 °C
	EPDM	-30 °C ... +120 °C
	EPDM-W270 (in diaphragm pressure switch)	-20 °C ... +100 °C
	FKM (in diaphragm pressure switch)	-5 °C ... +120 °C
	FKM (in piston pressure switch)	-15 °C ... +120 °C
	Silicone (in diaphragm pressure switch)	-40 °C ... +120 °C
	HNBR	-30 °C ... +120 °C
Switching frequency:	200/min.	
Mechanical life expectancy:	1,000,000 cycles (for diaphragm pressure switches, life expectancy value only applies for switching pressures to max. 50 bar)	
Pressure rise rate:	≤ 1 bar/ms	
Hysteresis (only adjustable at factory):	Adjustable average value 10 ... 30 % depending on type Types 0140 and 0141 cannot be adjusted	
Vibration resistance:	10g; 5 ... 200 Hz sine wave; DIN EN 60068-2-6	
Shock resistance:	294 m/s ² ; 14 ms half sine wave; DIN EN 60068-2-6, DIN EN 60068-2-29	
Protection class:	IP65 with socket device, terminals IP00	
Weight:	approx. 100 g	

Switching performance and materials overview

Type	0140	0141	0170	0171	0180	0181	0183	0186	0187	0190	0191	0196	0197
5 ... 24 VDC										●	●	●	●
10 ... 42 VAC/DC			●	●									
10 ... 250 VAC/DC	●	●			●	●	●	●	●				
3 ... 50 mA										●	●	●	●
10 mA ... 2 A	●	●											
10 mA ... 4 A			●	●	●	●	●	●	●				
Gold contacts										●	●	●	●
Silver contacts	●	●	●	●	●	●	●	●	●				
Adjustable hysteresis			●	●	●	●	●	●	●	●	●	●	●
Zinc-plated steel (CrVI-free)	●	●	●	●	●	●	●			●	●		
Stainless steel 1.4305								●	●			●	●

M

Pressure switches hex 27

Electrical values

0140 / 0141		
Rated working voltage U_e	Rated working current I_e	Usage category ¹⁾
250 VAC 50 / 60 Hz	2 A	AC 12
24 VDC	2/1 A	DC 12 / DC 13
50 VDC	1/0.5 A	DC 12 / DC 13
75 VDC	0.5/0.25 A	DC 12 / DC 13
125 VDC	0.2/0.1 A	DC 12 / DC 13
250 VDC	0.15/0.1 A	DC 12 / DC 13
Rated insulation voltage U_i :	300 V	
Rated impulse withstand voltage U_{imp} :	4 kV	
Conventional thermal current I_{the} :	5 A	
Switching overvoltage:	< 2.5 kV	
Rated frequency:	DC and 50/60Hz	
Nominal current of short-circuit mechanism:	to 3.5 A	
Rated short-circuit current:	< 350 A	
IP class of protection according to EN60529:1991+A1:1999:	IP65 with connector	
Tightening torque of terminal screws:	< 0.35 Nm	
Connector cross-section:	0.5 – 1.5 mm ²	

0170 / 0171 / 0180 / 0181 / 0183 / 0186 / 0187 / 0190 / 0191 / 0196 / 0197		
Rated working voltage U_e	Rated working current I_e	Usage category ¹⁾
250 VAC 50 / 60 Hz	4 A	AC 12
250 VAC 50 / 60 Hz	1 A	AC 14
24 VDC	4/2 A	DC 12 / DC 13
50 VDC	2/1 A	DC 12 / DC 13
75 VDC	1/0.5 A	DC 12 / DC 13
125 VDC	0.3/0.2 A	DC 12 / DC 13
250 VDC	0.25/0.2 A	DC 12 / DC 13
Rated insulation voltage U_i :	300 V	
Rated impulse withstand voltage U_{imp} :	2.5 kV	
Conventional thermal current I_{the} :	5 A	
Switching overvoltage:	< 2.5 kV	
Rated frequency:	DC and 50/60Hz	
Nominal current of short-circuit mechanism:	to 5 A	
Rated short-circuit current:	< 350 A	
IP-Protection class nach EN60529:1991+A1:1999:	IP65 with connector	

¹⁾ For technical explanations refer to page 9

0140 / 0141

Diaphragm / piston pressure switches 250 V

- Protection class 2, protective insulation
- Zinc-plated steel (CrVI-free)
- Changeover with silver contacts
- Overpressure safety up to 300 / 600 bar¹⁾
- Includes polyamide cap, protection class IP65

P _{max.} in bar	Adjustment range in bar	Tolerance in bar at room temperature	Male thread	Order number
-----------------------------	----------------------------	---	-------------	--------------

0140 Diaphragm pressure switches with screw terminals

P _{max.} in bar	Adjustment range in bar	Tolerance in bar at room temperature	Order number	
			Male thread	Order number
300 ¹⁾	0.3 – 1.5	± 0.2	G 1/4	0140 – 457 03 – X – 003
			NPT 1/8	0140 – 457 04 – X – 300
			NPT 1/4	0140 – 457 09 – X – 305
			7/16-20 UNF	0140 – 457 20 – X – 310
			9/16-18 UNF	0140 – 457 21 – X – 315
	1 – 10	± 0.5	G 1/4	0140 – 458 03 – X – 006
			NPT 1/8	0140 – 458 04 – X – 301
			NPT 1/4	0140 – 458 09 – X – 306
			7/16-20 UNF	0140 – 458 20 – X – 311
			9/16-18 UNF	0140 – 458 21 – X – 316
	10 – 20	± 1.0	G 1/4	0140 – 459 03 – X – 009
			NPT 1/8	0140 – 459 04 – X – 302
NPT 1/4			0140 – 459 09 – X – 307	
7/16-20 UNF			0140 – 459 20 – X – 312	
9/16-18 UNF			0140 – 459 21 – X – 317	
20 – 50	± 2.0	G 1/4	0140 – 461 03 – X – 012	
		NPT 1/8	0140 – 461 04 – X – 303	
		NPT 1/4	0140 – 461 09 – X – 308	
		7/16-20 UNF	0140 – 461 20 – X – 313	
		9/16-18 UNF	0140 – 461 21 – X – 318	

0141 Piston pressure switches with screw terminals

P _{max.} in bar	Adjustment range in bar	Tolerance in bar at room temperature	Order number	
			Male thread	Order number
600 ¹⁾	50 – 150	± 5.0	G 1/4	0141 – 460 03 – X – 003
			NPT 1/8	0141 – 460 04 – X – 304
			NPT 1/4	0141 – 460 09 – X – 309
			7/16-20 UNF	0141 – 460 20 – X – 314
			9/16-18 UNF	0141 – 460 21 – X – 319

Seal material – Application areas

Seal material	Application areas	Order number
NBR	Hydraulic/machine oil, heating oil, air, nitrogen, etc.	1
EPDM	Brake fluid, hydrogen, oxygen, acetylene, etc.	2
FKM	Hydraulic fluids (HFA, HFB, HFD), petrol/gasoline, etc.	3
HNBR	Hydraulic/machine oil, ester-based bio-oils	9

Refer to page 53 for the temperature range and application thresholds of sealing materials.

Your order number: **014X – XXX XX – X – XXX**

M.4

hex 27



¹⁾ Static value. Dynamic value is 30-50 % lower. Values pertain to the hydraulic/pneumatic part of the pressure switch.

M.4

hex 27

0170 / 0171

Diaphragm / piston pressure switches up to 42 V

- Zinc-plated steel (CrVI-free)
- Changeover with silver contacts
- Overpressure safety up to 100/300/600 bar¹⁾
- Hysteresis adjustable at factory



$p_{max.}$ in bar	Adjustment range in bar	Tolerance in bar at room temperature	Male thread	Order number
----------------------	----------------------------	---	-------------	--------------

0170 Diaphragm pressure switches with spade terminal

100 ¹⁾	0.3 – 1.5	± 0.2	G 1/4	0170 – 457 03 – X – 003
			M 10x1 con.	0170 – 457 01 – X – 001
			M 12x1.5 cyl.	0170 – 457 02 – X – 002
			NPT 1/8	0170 – 457 04 – X – 318
			NPT 1/4	0170 – 457 09 – X – 314
			7/16-20 UNF	0170 – 457 20 – X – 301
			9/16-18 UNF	0170 – 457 21 – X – 302
	1 – 10	± 0.5	G 1/4	0170 – 458 03 – X – 042
			M 10x1 con.	0170 – 458 01 – X – 040
			M 12x1.5 cyl.	0170 – 458 02 – X – 041
			NPT 1/8	0170 – 458 04 – X – 343
			NPT 1/4	0170 – 458 09 – X – 340
			7/16-20 UNF	0170 – 458 20 – X – 341
			9/16-18 UNF	0170 – 458 21 – X – 342
300 ¹⁾	10 – 50	± 3.0	G 1/4	0170 – 459 03 – X – 009
			M 10x1 con.	0170 – 459 01 – X – 007
			M 12x1.5 cyl.	0170 – 459 02 – X – 008
			NPT 1/8	0170 – 459 04 – X – 320
			NPT 1/4	0170 – 459 09 – X – 316
			7/16-20 UNF	0170 – 459 20 – X – 305
			9/16-18 UNF	0170 – 459 21 – X – 306
	10 – 100	± 3.0 – 5.0	G 1/4	0170 – 461 03 – X – 012
			M 10x1 con.	0170 – 461 01 – X – 010
			M 12x1.5 cyl.	0170 – 461 02 – X – 011
			NPT 1/8	0170 – 461 04 – X – 321
			NPT 1/4	0170 – 461 09 – X – 317
			7/16-20 UNF	0170 – 461 20 – X – 307
			9/16-18 UNF	0170 – 461 21 – X – 308

0171 Piston pressure switches with spade terminal

600 ¹⁾	50 – 200	± 5.0	G 1/4	0171 – 460 03 – X – 003
			M 10x1 con.	0171 – 460 01 – X – 001
			M 12x1.5 cyl.	0171 – 460 02 – X – 002
			NPT 1/8	0171 – 460 04 – X – 304
			NPT 1/4	0171 – 460 09 – X – 303
			7/16-20 UNF	0171 – 460 20 – X – 301
			9/16-18 UNF	0171 – 460 21 – X – 302

Seal material – Application areas

NBR	Hydraulic/machine oil, heating oil, air, nitrogen, etc.	1
EPDM	Brake fluid, hydrogen, oxygen, acetylene, etc.	2
FKM	Hydraulic fluids (HFA, HFB, HFD), petrol/gasoline, etc.	3
HNBR	Hydraulic/machine oil, ester-based bio-oils	9

Refer to page 53 for the temperature range and application thresholds of sealing materials.



Your order number:

017X – XXX XX – X – XXX



¹⁾ Static value. Dynamic value is 30-50 % lower. Values pertain to the hydraulic/pneumatic part of the pressure switch.

0180 / 0181

Diaphragm / piston pressure switches up to 250 V

- Zinc-plated steel (CrVI-free)
- Changeover with silver contacts
- Overpressure safety up to 100/300/600 bar¹⁾
- Hysteresis adjustable at factory

p _{max.} in bar	Adjustment range in bar	Tolerance in bar at room temperature	Male thread	Order number
-----------------------------	----------------------------	---	-------------	--------------

0180 Diaphragm pressure switches with spade terminal

100 ¹⁾	0.3 – 1.5	± 0.2	G 1/4	0180 – 457 03 – X – 003
			M 10x1 con.	0180 – 457 01 – X – 001
			M 12x1.5 cyl.	0180 – 457 02 – X – 002
			NPT 1/8	0180 – 457 04 – X – 318
			NPT 1/4	0180 – 457 09 – X – 314
			7/16-20 UNF	0180 – 457 20 – X – 301
			9/16-18 UNF	0180 – 457 21 – X – 302

	1 – 10	± 0.5	G 1/4	0180 – 458 03 – X – 042
			M 10x1 con.	0180 – 458 01 – X – 040
			M 12x1.5 cyl.	0180 – 458 02 – X – 041
			NPT 1/8	0180 – 458 04 – X – 343
			NPT 1/4	0180 – 458 09 – X – 340
			7/16-20 UNF	0180 – 458 20 – X – 341
			9/16-18 UNF	0180 – 458 21 – X – 342

300 ¹⁾	10 – 50	± 3.0	G 1/4	0180 – 459 03 – X – 009
			M 10x1 con.	0180 – 459 01 – X – 007
			M 12x1.5 cyl.	0180 – 459 02 – X – 008
			NPT 1/8	0180 – 459 04 – X – 320
			NPT 1/4	0180 – 459 09 – X – 311
			7/16-20 UNF	0180 – 459 20 – X – 305
			9/16-18 UNF	0180 – 459 21 – X – 306

	10 – 100	± 3.0 – 5.0	G 1/4	0180 – 461 03 – X – 012
			M 10x1 con.	0180 – 461 01 – X – 010
			M 12x1.5 cyl.	0180 – 461 02 – X – 011
			NPT 1/8	0180 – 461 04 – X – 321
			NPT 1/4	0180 – 461 09 – X – 317
			7/16-20 UNF	0180 – 461 20 – X – 307
			9/16-18 UNF	0180 – 461 21 – X – 308

0181 Piston pressure switches with spade terminal

600 ¹⁾	50 – 200	± 5.0	G 1/4	0181 – 460 03 – X – 003
			M 10x1 con.	0181 – 460 01 – X – 001
			M 12x1.5 cyl.	0181 – 460 02 – X – 002
			NPT 1/8	0181 – 460 04 – X – 304
			NPT 1/4	0181 – 460 09 – X – 303
			7/16-20 UNF	0181 – 460 20 – X – 301
			9/16-18 UNF	0181 – 460 21 – X – 302

Seal material – Application areas

NBR	Hydraulic/machine oil, heating oil, air, nitrogen, etc.	1
EPDM	Brake fluid, hydrogen, oxygen, acetylene, etc.	2
FKM	Hydraulic fluids (HFA, HFB, HFD), petrol/gasoline, etc.	3
HNBR	Hydraulic/machine oil, ester-based bio-oils	9

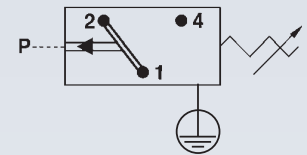
Refer to page 53 for the temperature range and application thresholds of sealing materials.

Your order number: **018X – XXX XX – X – XXX**

¹⁾ Static value. Dynamic value is 30-50 % lower. Values pertain to the hydraulic/pneumatic part of the pressure switch.

M.4

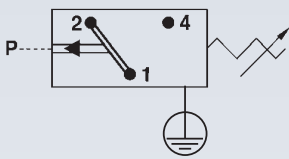
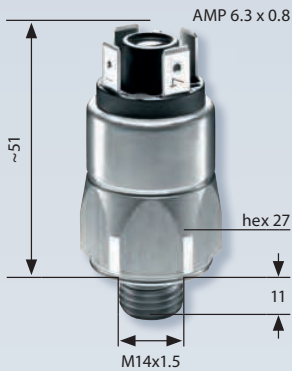
hex 27



M.4

hex 27

Thread similar to ISO 6149-3
(including O-ring for sealing)



0183

Piston pressure switches up to 250 V

- Zinc-plated steel (CrVI-free)
- Changeover with silver contacts
- Overpressure safety up to 600 bar¹⁾, Hysteresis adjustable at factory
- Adjustment range: 100 – 400 bar
- Height only 51 mm

P _{max.} in bar	Adjustment range in bar	Tolerance in bar at room temperature	Male thread	Order number
-----------------------------	----------------------------	---	-------------	--------------

0183 Piston pressure switches with spade terminal

600 ¹⁾	100 – 300	± 10.0	M 14x1.5	0183 – 462 45 – X – 051
	200 – 400		DIN 6149-3	0183 – 462 45 – X – 061

Seal material – Application areas

NBR	Hydraulic/machine oil, heating oil, air, nitrogen, etc.	1
EPDM	Brake fluid, hydrogen, oxygen, acetylene, etc.	2
FKM	Hydraulic fluids (HFA, HFB, HFD), petrol/gasoline, etc.	3
HNBR	Hydraulic/machine oil, ester-based bio-oils	9

Refer to page 53 for the temperature range and application thresholds of sealing materials.



Your order number: 0183 – 462 45 – X – XXX

Accessory ▶

Not included in the delivery.
Please order separately.

Order number ▶

Thread adapters

from M 14 x 1.5		
to G 1/4	to M12 x 1.5	to NPT 1/8
1-1-83-420-006	1-1-83-420-007	1-1-83-420-008

0186 / 0187

Diaphragm / piston pressure switches up to 250 V with stainless steel housing

- Stainless steel housing (1.4305 / AISI 303)
- Changeover with silver contacts
- Overpressure safety up to 300 / 600 bar¹⁾ (EPDM-W270 and silicone diaphragm up to 35 bar²⁾)
- Hysteresis adjustable at factory

P _{max.} in bar	Adjustment range in bar	Tolerance in bar at room temperature	Male thread	Order number
--------------------------	-------------------------	--------------------------------------	-------------	--------------

0186 Diaphragm pressure switches with spade terminal

300 ¹⁾⁺²⁾	0.5 – 5	± 0.3	G 1/4	0186 – 457 03 – X – 003
	1 – 10	± 0.5		0186 – 458 03 – X – 006
	10 – 50	± 3.0		0186 – 459 03 – X – 009
	10 – 100	± 3.0 – 5.0		0186 – 461 03 – X – 012

0187 Piston pressure switch with spade terminal

600 ¹⁾	50 – 200	± 5.0	G 1/4	0187 – 460 03 – X – 003
-------------------	----------	-------	-------	-------------------------

Seal material – Application areas

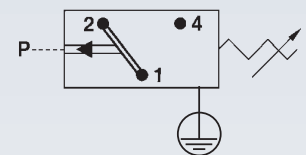
NBR	Hydraulic/machine oil, heating oil, air, nitrogen, etc.	1
EPDM	Brake fluid, hydrogen, oxygen, acetylene, etc.	2
EPDM-W270	Drinking water (only in diaphragm, p _{max} ≤ 35 bar)	5
FKM	Hydraulic fluids (HFA, HFB, HFD), petrol/gasoline, etc.	3
Silicone	Water, food products, air, etc. (only in diaphragm, p _{max} ≤ 35 bar)	8
HNBR	Hydraulic/machine oil, ester-based bio-oils	9

Refer to page 53 for the temperature range and application thresholds of sealing materials.

Your order number: 018X – XXX 03 – X – XXX

M.4

hex 27



¹⁾ Static value. Dynamic value is 30-50% lower. Values pertain to the hydraulic/pneumatic part of the pressure switch.

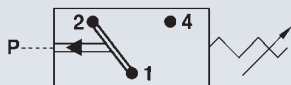
²⁾ Overpressure safety of diaphragm pressure switch up to 300 bar. Functional reliability only up to 35 bar with diaphragm materials EPDM-W270 and silicone.



0190 / 0191

Diaphragm / piston pressure switches up to 24 V with gold contacts

- Zinc-plated steel (CrVI-free), with spade terminal
- Changeover with gold contacts
- Overpressure safety up to 100/300/600 bar¹⁾
- Hysteresis adjustable at factory



$P_{max.}$ in bar	Adjustment range in bar	Tolerance in bar at room temperature	Male thread	Order number
----------------------	----------------------------	---	-------------	--------------

0190 Diaphragm pressure switches with spade terminal

100 ¹⁾	0.3 – 1.5	± 0.2	G 1/4	0190 – 457 03 – X – 003
			M 10x1 con.	0190 – 457 01 – X – 001
			M 12x1.5 cyl.	0190 – 457 02 – X – 002
			NPT 1/8	0190 – 457 04 – X – 318
			NPT 1/4	0190 – 457 09 – X – 314
			7/16-20 UNF	0190 – 457 20 – X – 301
			9/16-18 UNF	0190 – 457 21 – X – 302

	1 – 10	± 0.5	G 1/4	0190 – 458 03 – X – 042
			M 10x1 con.	0190 – 458 01 – X – 040
			M 12x1.5 cyl.	0190 – 458 02 – X – 041
			NPT 1/8	0190 – 458 04 – X – 343
			NPT 1/4	0190 – 458 09 – X – 340
			7/16-20 UNF	0190 – 458 20 – X – 341
			9/16-18 UNF	0190 – 458 21 – X – 342

300 ¹⁾	10 – 50	± 3.0	G 1/4	0190 – 459 03 – X – 009
			M 10x1 con.	0190 – 459 01 – X – 007
			M 12x1.5 cyl.	0190 – 459 02 – X – 008
			NPT 1/8	0190 – 459 04 – X – 320
			NPT 1/4	0190 – 459 09 – X – 316
			7/16-20 UNF	0190 – 459 20 – X – 305
			9/16-18 UNF	0190 – 459 21 – X – 306

	10 – 100	± 3.0 – 5.0	G 1/4	0190 – 461 03 – X – 012
			M 10x1 con.	0190 – 461 01 – X – 010
			M 12x1.5 cyl.	0190 – 461 02 – X – 011
			NPT 1/8	0190 – 461 04 – X – 321
			NPT 1/4	0190 – 461 09 – X – 317
			7/16-20 UNF	0190 – 461 20 – X – 307
			9/16-18 UNF	0190 – 461 21 – X – 308

0191 Piston pressure switches with spade terminal

600 ¹⁾	50 – 200	± 5.0	G 1/4	0191 – 460 03 – X – 003
			M 10x1 con.	0191 – 460 01 – X – 001
			M 12x1.5 cyl.	0191 – 460 02 – X – 002
			NPT 1/8	0191 – 460 04 – X – 304
			NPT 1/4	0191 – 460 09 – X – 303
			7/16-20 UNF	0191 – 460 20 – X – 301
			9/16-18 UNF	0191 – 460 21 – X – 302

Seal material – Application areas

NBR	Hydraulic/machine oil, heating oil, air, nitrogen, etc.	1
EPDM	Brake fluid, hydrogen, oxygen, acetylene, etc.	2
FKM	Hydraulic fluids (HFA, HFB, HFD), petrol/gasoline, etc.	3
HNBR	Hydraulic/machine oil, ester-based bio-oils	9

Refer to page 53 for the temperature range and application thresholds of sealing materials.



Your order number:

019X – XXX XX – X – XXX



¹⁾ Static value. Dynamic value is 30-50 % lower. Values pertain to the hydraulic/pneumatic part of the pressure switch.

0196 / 0197

Diaphragm / piston pressure switches up to 24 V with stainless steel housing

- Stainless steel housing (1.4305 / AISI 303)
- Fitted with changeover contact and gold contacts
- Overpressure safety up to 300 / 600 bar¹⁾ (EPDM-W270 and silicone diaphragm up to 35 bar²⁾)
- Hysteresis adjustable at factory

P _{max.} in bar	Adjustment range in bar	Tolerance in bar at room temperature	Male thread	Order number
--------------------------	-------------------------	--------------------------------------	-------------	--------------

0196 Diaphragm pressure switches with spade terminal

300 ¹⁾⁺²⁾	0.5 – 5	± 0.3	G 1/4	0196 – 457 03 – X – 003
	1 – 10	± 0.5		0196 – 458 03 – X – 006
	10 – 50	± 3.0		0196 – 459 03 – X – 009
	10 – 100	± 3.0 – 5.0		0196 – 461 03 – X – 012

0197 Piston pressure switches with spade terminal

600 ¹⁾	50 – 200	± 5.0	G 1/4	0197 – 460 03 – X – 003
-------------------	----------	-------	-------	-------------------------

Seal material – Application areas

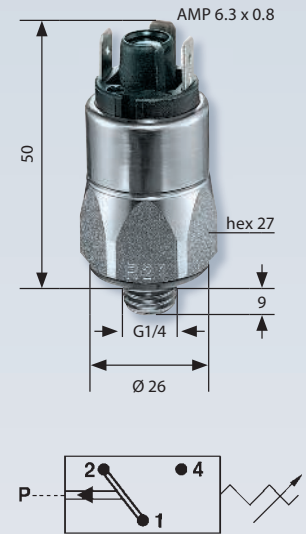
NBR	Hydraulic/machine oil, heating oil, air, nitrogen, etc.	1
EPDM	Brake fluid, hydrogen, oxygen, acetylene, etc.	2
EPDM-W270	Drinking water (only in diaphragm, p _{max} ≤ 35 bar)	5
FKM	Hydraulic fluids (HFA, HFB, HFD), petrol/gasoline, etc.	3
Silicone	Water, food products, air, etc. (only in diaphragm, p _{max} ≤ 35 bar)	8
HNBR	Hydraulic/machine oil, ester-based bio-oils	9

Refer to page 53 for the temperature range and application thresholds of sealing materials.

Your order number: 019X – XXX 03 – X – XXX

M.4

hex 27



M

¹⁾ Static value. Dynamic value is 30-50 % lower. Values pertain to the hydraulic/pneumatic part of the pressure switch.

²⁾ Overpressure safety of diaphragm pressure switch up to 300 bar. Functional reliability only up to 35 bar with diaphragm materials EPDM-W270 and silicone.

