

# Pressure Gauges

## Heavy Duty

### 50 mm and 63 mm



Thread shown is 1/2  
BSPp (none stock)

## Model RF

Body Material	304 Stainless Steel Case
Ranges	-100 and up to 60,000 kPa (dual scale / PSI)
Conforms to	Australian Standard AS1349 or better
Wetted parts	Brass / bronze
Medium temperature	-20 to 60°C
Lens	Polycarbonate
Protection	IP54 (above 2500 kPa IP65)
Accuracy Class	1.6 % Full scale deflection

Dial Size	50 mm (2")		63 mm (2 1/2")	
Mounting	bottom	rear	bottom	rear
Thread Size	1/8" BSPT	1/8" BSPT	1/4" BSPT	1/4" BSPT
Range ↓	(for pricing see pages 1 of Item Price List)			
-100 / 0 kPa / 30" Hg	6 151 403	6 152 403	6 161 403	6 162 403
-100... 60 kPa / PSI	*	*	*	*
-100... 150 kPa / PSI	*	*	6 161 406	*
-100... 300 kPa / PSI	*	*	6 161 407	*
-100... 500 kPa / PSI	*	*	*	*
-100... 900 kPa / PSI	*	*	*	*
-100...1500 kPa / PSI	*	*	*	*
0... 60 kPa / PSI	*	*	6 161 417	*
0... 100 kPa / PSI	*	*	6 161 418	6 162 418
0... 160 kPa / PSI	*	*	6 161 419	6 162 419
0... 250 kPa / PSI	*	6 152 420	6 161 420	6 162 420
0... 400 kPa / PSI	*	*	6 161 421	6 162 421
0... 600 kPa / PSI	*	*	6 161 422	6 162 422
0... 800 kPa / PSI	*	*	6 161 423	6 162 423
0... 1000 kPa / PSI	6 151 424	6 152 424	6 161 424	6 162 424
0... 1600 kPa / PSI	*	*	6 161 426	6 162 426
0... 2500 kPa / PSI	6 151 427	6 152 427	6 161 427	6 162 427
0... 4000 kPa / PSI	*	*	6 161 428	6 162 428
0... 6000 kPa / PSI	*	*	6 161 429	6 162 429
0...10000 kPa / PSI	*	*	6 161 430	6 162 430
0...16000 kPa / PSI	*	*	6 161 431	6 162 431
0...25000 kPa / PSI	*	*	6 161 432	6 162 432
0...40000 kPa / PSI	*	*	6 161 434	6 162 434
0...60000 kPa / PSI			*	*

**Items marked with an \* can be manufactured to order  
(Lead times apply)**

**For all options (flanges / mounting / safety cases / chemical seals) please enquire directly with ANZ Controls. Part numbers in stock are listed on page 4 of the pricelist.**

All prices exclude GST. We reserve the right to change technical specifications & prices without prior notice.

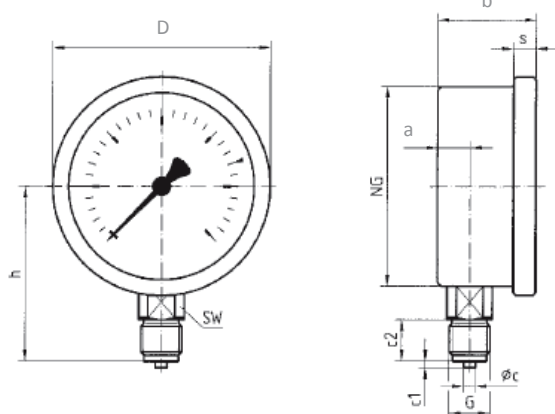


## Options Model RF

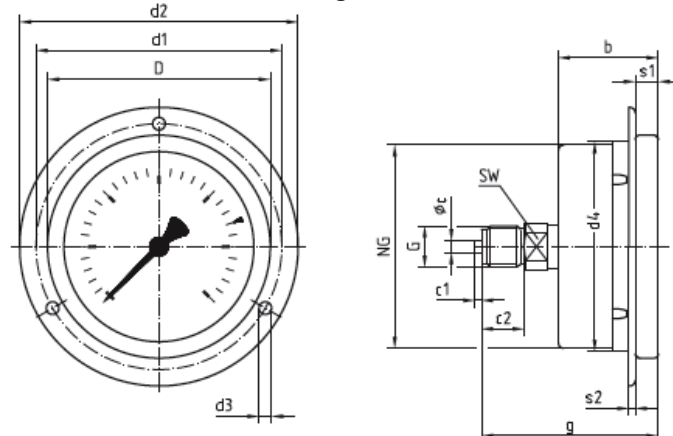
(for pricing see page 4 of Item Price List)

<b>Rest_BB</b>	Restrictor suit up to and incl 80mm Brass Wetted 0.7mm inner
<b>99 100 100</b>	Surcharge for Glycerine filling for 40mm, 50mm and 63mm gauges
<b>RF50_UC1</b>	Flat bar panel mounting clamp with screws suit RF50,D911
<b>RF50_UC2</b>	NG 50 U clamp, ES 1.43021 with 2 M4 bolts (Heavy Duty)
<b>RF50_FF</b>	RF50 Press fit Front Flange (3 hole Stainless Steel)
<b>RF63_FF</b>	RF63 Front Flange (press fit), 3 hole, Stainless Steel
<b>RF63_UC1</b>	Flat bar panel mounting clamp with screws suit RF63,D911
<b>RF63_UC2</b>	NG 63 U clamp, ES 1.43021 with 2 M4 bolts (Heavy Duty)
<b>RF63_SG</b>	RF63 Safety Glass and Seal fitted to Afriso PG63 pressure gauge.
<b>RF63_RBB</b>	Rubber Boot suit 63mm pressure gauges in BLUE
<b>RF63_RBR</b>	Rubber Boot suit 63mm pressure gauges in RED

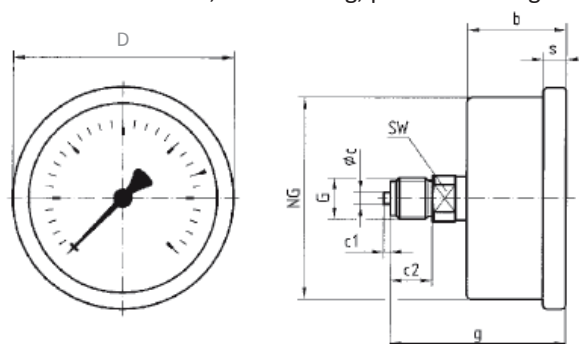
Bottom connection



Bottom connection, back flange



Centre back connection, 3-hold fixing, panel mounting bezel



### Dimensions (mm)

Nominal size (NG)	a	a1	b	b1	øc	c1	c2	d1*	d2	d3*	d4	D	G	g	h	m	n	s	s1	s2	SW
50	11	-	28	-	5	2	13	-	-	-	-	53	R½B	51	45.5	82	73	4.5	-	-	14
63	9.5	13	30.5	34	5	2	13	75	85	3.6	64	68	R¼B	53.3	53	94	82	7	5.5	2	14