

Pressure Gauges

Heavy Duty

100 mm



Thread shown is 3/8" BSPp (none stock)

Model RF

Body Material	304 Stainless Steel Case
Ranges	-100 and up to 100,000 kPa (dual scale / PSI)
Conforms to	Australian Standard AS1349 or better
Wetted parts	Brass / bronze
Medium temperature	-20 to 60°C
Lens	100mm Instrument Glass
Protection	IP54 (above 2500 kPa IP65)
Accuracy Class	1 % Full scale deflection

Dial Size	100 mm (4")				
Mounting	bottom	rear	Mounting	bottom	rear
Thread Size	3/8" BSPt	1/2" BSPp	Thread Size	3/8" BSPt	1/2" BSPp
Range ↓	(for pricing see page 1 of Item Price List)				
-100 / 0 kPa / 30" Hg	6 111 403	*	0... 1000 kPa / PSI	6 111 424	*
-100... 60 kPa / PSI	*	*	0... 1600 kPa / PSI	6 111 426	*
-100... 150 kPa / PSI	6 111 406	*	0... 2500 kPa / PSI	6 111 427	*
-100... 300 kPa / PSI	6 111 407	*	0... 4000 kPa / PSI	6 111 428	6 112 428
-100... 500 kPa / PSI	6 111 408	*			
-100... 900 kPa / PSI	6 111 411	*	0... 6000 kPa / PSI	6 111 429	*
-100...1500 kPa / PSI	6 111 413	*	0...10000 kPa / PSI	6 111 430	6 112 430
0... 60 kPa / PSI	6 111 417	*	0...16000 kPa / PSI	6 111 431	*
0... 100 kPa / PSI	6 111 418	*	0...25000 kPa / PSI	6 111 432	6 112 432
0... 160 kPa / PSI	6 111 419	*	0...40000 kPa / PSI	6 111 434	6 112 434
0... 250 kPa / PSI	6 111 420	*	0...60000 kPa / PSI	6 111 435	*
0... 400 kPa / PSI	6 111 421	*			
0... 600 kPa / PSI	6 111 422	*	0..100000 kPa / PSI	6 111 436	*
0... 800 kPa / PSI	6 111 423	*			

**Items marked with an * can be manufactured to order
(Lead times apply)**

For all options (flanges / mounting / safety cases / chemical seals) please enquire directly with ANZ Controls. Part numbers in stock are listed on page 4 of the pricelist.

Options Model RF

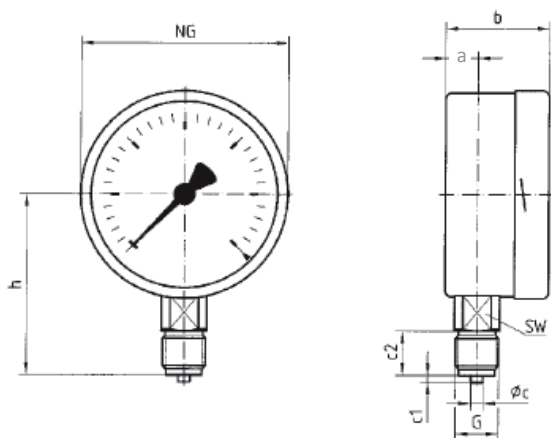
(for pricing see page 4 of Item Price List)

REST_BB100	Restrictor suit 100mm, Brass 0.7mm M4x5
99 100 200	Surcharge for glycerine filling for 100mm gauges
RF100_BF	RF100 Surface Mount case suit bottom entry brass wetted gauges
RF100_FF	3 hole Front Flange suit RF100 "Bayonet" pressure gauges
RF100_RB	Rubber Boot suit 100mm B/E pressure gauges in black
RF100_SG	RF100 Safety Glass and seal suit Afriso gauges (fitted)

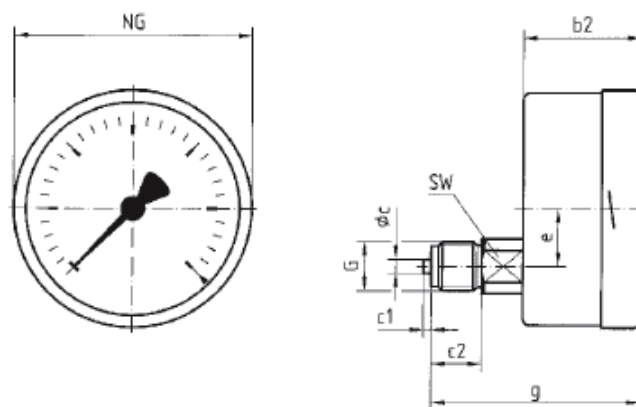
All prices exclude GST. We reserve the right to change technical specifications & prices without prior notice.



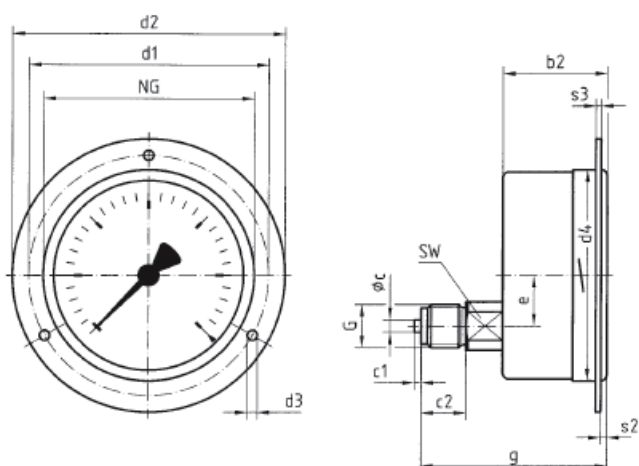
Bottom Connection



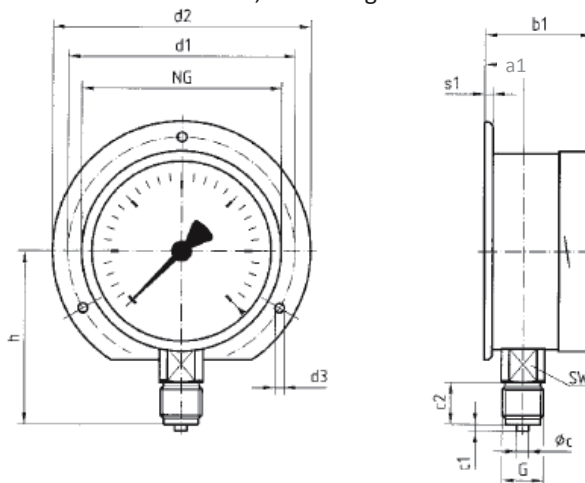
Centre back connection



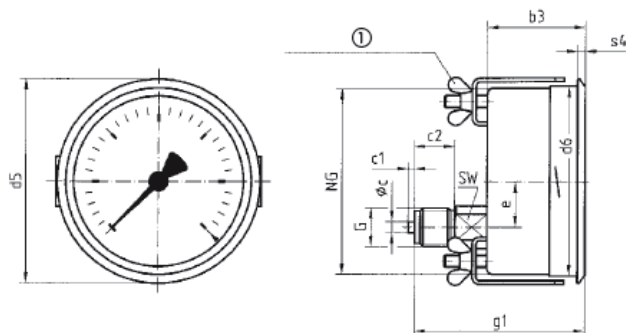
Centre back connection, 3-hold fixing, panel mounting bezel



Bottom connection, back flange



Centre back connection, panel mounting bezel with clamp fixing



Dimensions (mm)

Nominal Size (NG) 100mm

a	a1	b	b1	b2	b3	øc	c1	c2	d1*	d2	d3*	d4	d5	d6	e	G	g	g1	h	s1	s2	s3	s4	SW	
15.6	19.1	49	52.5	49	49	6	3	20	116	132	4.8	104	107	101	26.5	G½B	81	81	86	5.5	4	2	4	4	22

All prices exclude GST. We reserve the right to change technical specifications & prices without prior notice.