

Low Pressure Gauges

Capsule type

63 mm and 100 mm

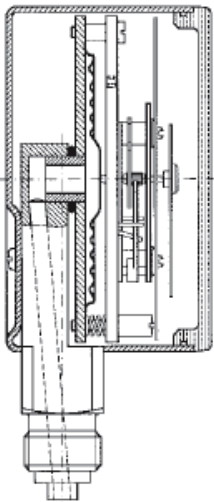


Model KP

Case Material	304 Stainless Steel
Ranges	-40 to 0 and up to 60 kPa
Calibration	Via a zero adjustment screw
Wetted parts	Brass / bronze
Medium temperature	-20 to 60°C
Lense	Single strength Glass
Protection	IP54
Accuracy Class	1.6 % Full scale deflection
Overpressure	10 times standard

For use on non-aggressive GASEOUS mediums only

Dial Size	63 mm (2 1/2")		100 mm (4")
Case	304 SS	304 SS	304 SS
Mounting	bottom	rear	bottom
Thread Size	1/4" BSPt	1/4" BSPt	3/8" BSPt
Range (kPa)	kPa	kPa	kPa
(for pricing see pages 2 of Item Price List)			
0 / 2.5 kPa	6 261 457	6 262 457	6 211 457
0 / 4 kPa	6 261 458	6 262 458	6 211 458
0 / 6 kPa	6 261 459	6 262 459	6 211 459
0 / 10 kPa	6 261 460	6 262 460	6 211 460
0 / 16 kPa	6 261 461	6 262 461	6 211 461
0 / 25 kPa	6 261 462	6 262 462	6 211 462
0 / 40 kPa	6 261 463	6 262 463	6 211 463
0 / 60 kPa	6 261 464		6 211 464



Vacuum ranges available with short delivery times

For all options (flanges / mounting / safety cases / chemical seals) please enquire directly with ANZ Controls. Part numbers in stock are listed on page 4 of the pricelist.

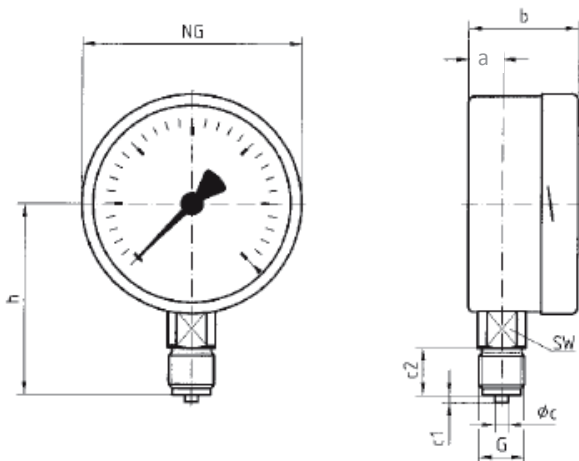
Options Model KP

(for pricing see pages 4 of Item Price List)

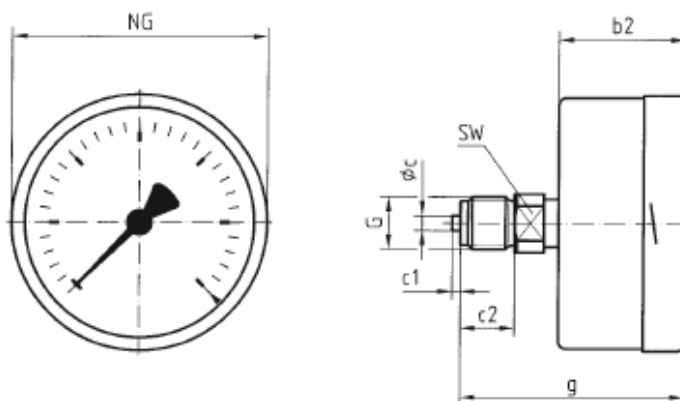
KP63_PMK	KP63 Panel Mounting kit, with new bezel. lense and mounting bracket
KP63_FFK	KP63 Front Flange to suit 63mm capsule gauges
RF100_FF	3 hole Front Flange suit RF100 "Bayonet" pressure gauges



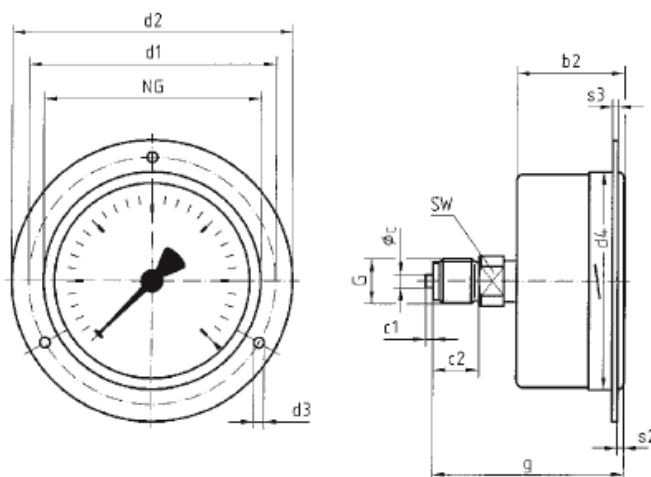
Bottom Connection



Centre Back Connection



Centre Back Connection, 3 hole fixing, panel mounting bezel



Dimensions (mm)

Nominal size (NG) 63 mm

a	a1	b	b1	b2	b3	ϕc	c1	c2	d1*	d2	d3*	d4	d5	d6	G	g	g1	h	s1	s2	s3	s4	SW
10.8	13.4	40	42.1	37	37	5	2	13	75	85	3.5	64	68	64	G ¹ / ₄ B	60	60	53	5.2	3	2	3	14

Nominal size (NG) 100 mm

a	a1	b	b1	b2	b3	ϕc	c1	c2	d1*	d2	d3*	d4	d5	d6	G	g	g1	h	s1	s2	s3	s4	SW
15.6	19.1	49	52.5	49	49	6	3	20	116	132	4.8	104	107	101	G ¹ / ₂ B	81	84	86	5.5	4	2	4	22