

Pressure Gauges

All Stainless Steel (Heavy Duty)

50 mm and 63 mm



Model RF2

Body Material	304 Stainless Steel Case
Ranges	-100 and up to 100,000 kPa (dual scale / PSI)
Conforms to	Australian Standard AS1349 or better
Wetted parts	316L Stainless Steel
Medium temperature	-20 to 150°C
Lens	50mm Polycarbonate / 63mm Safety Glass
Protection	IP54 (above 2,500 kPa IP65)
Accuracy Class	1.6 % Full scale deflection

(for pricing see page 3 and 4 of Item Price List)

Dial Size	50 mm (2")	63 mm (2 1/2")	
Mounting	rear	bottom	rear
Thread Size	1/8" NPT	1/4" NPT	1/4" NPT
Range ↓	(for pricing see page 3 of Item Price List)		
-100 / 0 kPa / 30" Hg	*	6 361 403	6 362 403
-100... 60 kPa / PSI	*	*	*
-100... 150 kPa / PSI	*	*	*
-100... 300 kPa / PSI	*	*	*
-100... 500 kPa / PSI	*	*	*
-100... 900 kPa / PSI	*	*	*
-100...1500 kPa / PSI	*	*	*
0... 60 kPa / PSI	*	*	*
0... 100 kPa / PSI	*	*	*
0... 160 kPa / PSI	*	*	*
0... 250 kPa / PSI	*	6 361 420	6 362 420
0... 400 kPa / PSI	*	6 361 421	*
0... 600 kPa / PSI	*	6 361 422	*
0... 800 kPa / PSI	*	*	*
0... 1000 kPa / PSI	6 352 424	6 361 424	6 362 424
0... 1600 kPa / PSI	6 352 426	6 361 426	6 362 426
0... 2500 kPa / PSI	6 352 427	6 361 427	6 362 427
0... 4000 kPa / PSI	6 352 428	6 361 428	6 362 428
0... 6000 kPa / PSI	*	*	*
0...10000 kPa / PSI	*	6 361 430	6 362 430
0...16000 kPa / PSI	*	*	*
0...25000 kPa / PSI	*	*	6 362 432
0...40000 kPa / PSI	*	*	*
0...60000 kPa / PSI	*	*	*
0...100000 kPa / PSI	*	*	*

Items marked with an * can be manufactured to order (Lead times apply)

For all options (flanges / mounting / safety cases / chemical seals) please contact us. Part numbers in stock are listed on page 4 of the pricelist.

All prices exclude GST. We reserve the right to change technical specifications & prices without prior notice.



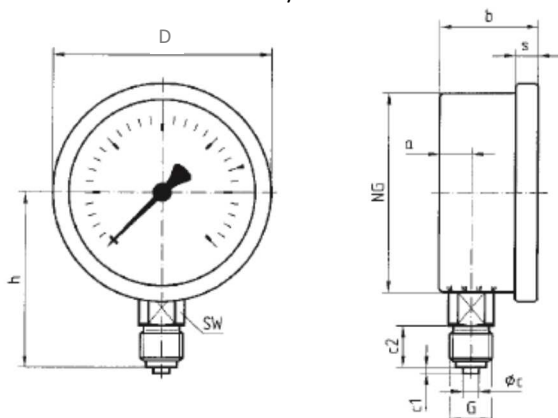
(for pricing see page 5 and 22 of Item Price List)

Options Model RF2

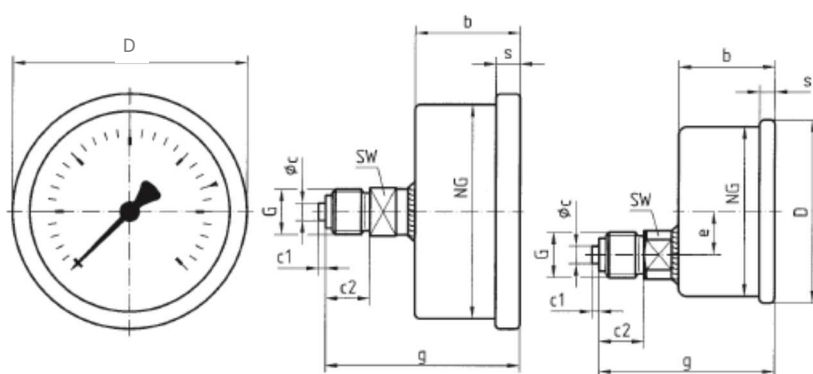
(for pricing see page 4 of Item Price List)

Rest_SS 99 100 100	Restrictor suit Stainless Steel Wetted 0.7mm inner Surcharge for Glycerine filling for 40mm, 50mm and 63mm gauges
RF50_UC1	Flat bar panel mounting clamp with screws suit RF50,D911
RF50_UC2	NG 50 U clamp, ES 1.43021 with 2 M4 bolts (Heavy Duty)
RF50_FF	RF50 Front Flange (press fit), 3 hole, Stainless Steel
RF63_UC1	Flat bar panel mounting clamp with screws suit RF63,D911
RF63_UC2	NG 63 U clamp, ES 1.43021 with 2 M4 bolts (Heavy Duty)
RF63_FF	RF63 Front Flange (press fit), 3 hole, Stainless Steel
RF63_RBB	Rubber Boot suit 63mm pressure gauges in BLUE
RF63_RBR	Rubber Boot suit 63mm pressure gauges in RED

Bottom connection NG 50/63



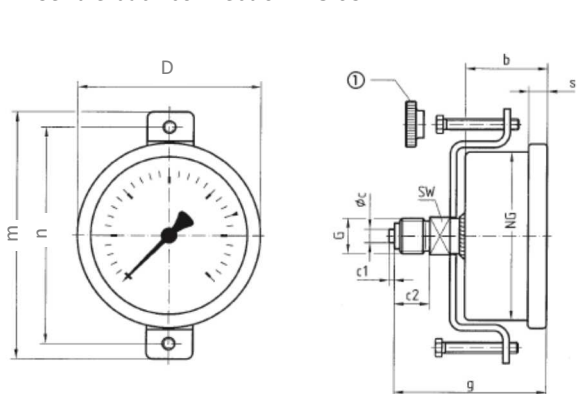
Bback connection



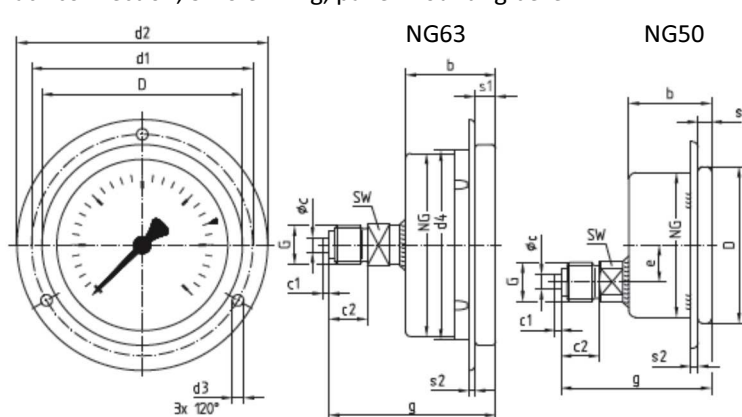
NG63

NG50

Centre back connection NG 63



Back connection, 3-hole fixing, panel mounting bezel



NG63

NG50

Dimensions (mm)

Nominal size (NG)	a	a1	b	b1	φc	c1	c2	d1*	D2*	d3*	d4	D	e	G	g	h	m	n	s	s1	s2	SW
50	10.5	-	28	-	5	2	13	60	70	3.6	-	53	12.5	G¼B	51	46	59	-	4.5	-	2.5	14
63	9.5	13	30.5	34	5	2	13	75	85	3.6	64	68	-	G¼B	56	53	94	82	7	5.5	2	14

All prices exclude GST. We reserve the right to change technical specifications & prices without prior notice.