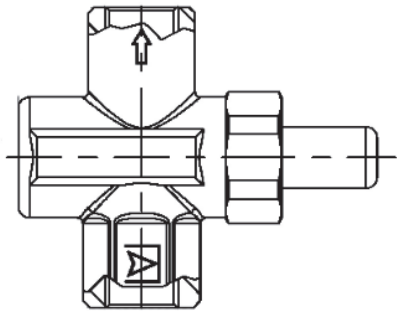
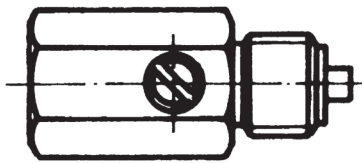


Accessories for Pressure Gauges



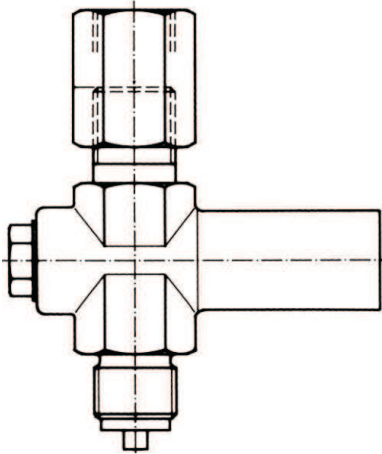
Model PBSC

Body Material	Brass, nickel-plated
Maximum Pressure	5 Bar
Medium Temperature	0 to 70 °C
Ambient Temperature	-20 to 60 °C
Connection	2 x female thread



Model PSP

Body Material	Brass or 316Ti
Maximum Pressure	400 Bar
Connection	G1/2
Medium Temperature	-10 to 80 °C



Model OPB

Body Material	Brass
Maximum Pressure	600 Bar
Connection	G1/2 female/female connection x male connection
Reset	25% below the closing pressure, the valve opens again
Maximum Temperature	80 °C

Stock Ranges: (for pricing see page 4 of Item Price List)

Part No.	Description
PBSC_G1/2	Push Button Stop Cock with G1/2 female both ends, Nickel plated brass body.
PBSC_G1/4	Push Button Stop Cock with G1/4 female both ends, Nickel plated brass body.
PSP_B	Damping Device G1/2, Brass. Pressure Surge Protection, Max 400 bar.
PSP_SS	Damping Device G1/2, 316Ti Stainless Steel. Pressure Surge Protection, Max 400 bar.
OPB.402.5	Overpressure Safety Device, Brass body 1/2 BSPp with spigot. Adj range 40 to 250 kPa
OPB02006	Overpressure Safety Device, Brass body 1/2 BSPp with spigot. Adj 200 to 600 kPa
OPB05025	Overpressure Safety Device, Brass body 1/2 BSPp with spigot. Adj range 500 to 2500 kPa. Max pressure 60000 kPa.
OPB20060	Overpressure Safety Device, Brass body 1/2 BSPp with spigot. Adj range 2000 to 6000 kPa. Max pressure 60000 kPa.
OPB50250	Overpressure Safety Device, Brass body 1/2 BSPp with spigot. Adj range 5000 to 25000 kPa. Max pressure 60000 kPa.
GLY_1 Ltr	1 Litre Jerry Can, filled with BP Glycerine.
GLY_5 Ltr	5 Litre Jerry Can, filled with BP Glycerine.
GLY_10ltr	10 Litre Jerry Can, filled with BP Glycerine.

All prices exclude GST. We reserve the right to change technical specifications & prices without prior notice.