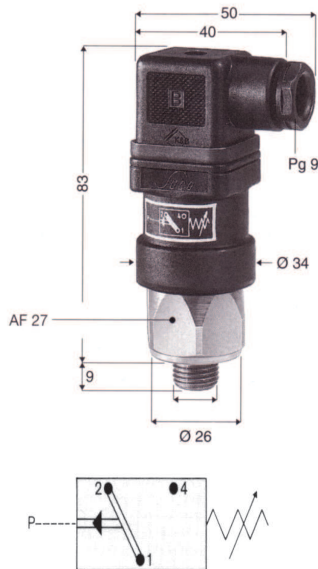


Pressure Switch

up to 250V change-over contacts
with DIN Plug



Model 0184 / 0185

Body Material	Zinc plated steel body
Ranges	30 to 20,000 kPa
Max. Pressure Rating Static	Adjustment range to 150 kPa = 10,000 kPa (1500 PSI) Adjustment range to 10,000 kPa = 30,000 kPa (4350 PSI) Adjustment range to 20,000 kPa = 60,000 kPa (8700 PSI)
Contact	Change-over
Contact Rating	250 VAC / 4 A
Hysteresis	Supplier adjustable 10 to 30%
Protection	IP65 (DIN 43650)
Max. Operation	200 / min
Mechanical Life	10 ⁶ operations @ ≤ 50 bar
Temperature Range	-5 to 120° C (dependant on seal material)
Connection	1/4" BSP male (others on request)
Type 0184	Diaphragm type
Type 0185	Piston type (*denotes piston type switch)

Special Manufacture:

- NBR, EPDM, Silicone or HNBR diaphragms
- Other threads (metric and imperial)

Please note for applications below 50mA we recommend the 0190/1 series switches

Stock Ranges: (for pricing see page 18 of Item Price List)

Adjustment Ranges		Contact	Seal	Part No.
30 - 150 kPa	4 - 21.5 PSI	Change-over	FKM	845 703 003
100 - 1000 kPa	14.5 - 145 PSI	Change-over	FKM	845 803 003
1000 - 5000 kPa	145 - 725 PSI	Change-over	FKM	845 903 003
1000 - 10000 kPa	145 - 1450 PSI	Change-over	FKM	846 103 003
5000 - 20000 kPa	725 - 2900 PSI	Change-over	FKM	856 003 003 *

OPTIONS: (for pricing see pages 18 & 19 of Item Price List)

Switch setting to customers specification	99 100 660
Hysteresis setting to customers specification	99 100 661
DIN 43650 Connector (4 terminal)	845 200 001
DIN 43650 Connector with 2 LED's status Indication (24V AC/DC)	845 200 011
DIN 43560 Connector with 2 LED's status Indication (250 VAC)	845 200 240

Warning! When using with oxygen, the relevant accident-prevention regulations must be observed. In addition, we recommend that a maximum operating pressure of 1,000 kPa (145 PSI) is not exceeded. All prices exclude GST. We reserve the right to change technical specifications & prices without prior notice.