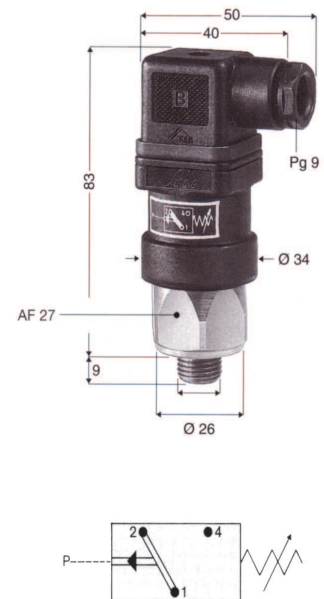




303 Stainless Steel up to 250V change-over contacts with DIN Plug

Model 0184-SS / 0185-SS

Body Material	303 Stainless Steel body
Ranges	50 to 20,000 kPa
Max. Pressure Rating Static	Adjustment range to 10,000 kPa = 30,000 kPa (4350 PSI) Adjustment range to 20,000 kPa = 60,000 kPa (8700 PSI)
Contact	Change-over
Contact Rating	250 VAC / 4 A
Hysteresis	Supplier adjustable 10 to 30%
Protection	IP65 (DIN 43650)
Max. Operation	200 / min
Mechanical Life	10 ⁶ operations @ ≤ 50 bar
Temperature Range	-40 to 100° C (dependant on seal material)
Connection	1/4" BSP male
Type 0184	Diaphragm type
Type 0185	Piston type (*denotes piston type switch)



Special Manufacture:

- Other switch pressure ranges
- VITON, EPDM, Silicone or HNBR diaphragms
- Other threads (metric and imperial)

Please note for applications below 50mA we recommend the 0190/1 series switches

Stock Ranges: (for pricing see page 16 of Item Price List)

Adjustment Ranges		Contact	Seal	Part No.
50 - 500 kPa	4 - 21.5 PSI	Change-over	Buna N	0184 45703 1 020
100 - 1000 kPa	14.5 - 145 PSI	Change-over	Buna N	0184 45803 1 019
1000 - 5000 kPa	145 - 725 PSI	Change-over	Buna N	0184 45903 1 486
1000 - 10000 kPa	145 - 1450 PSI	Change-over	Buna N	0184 46103 1 486
5000 - 20000 kPa	725 - 2900 PSI	Change-over	Buna N	0185 46003 1 486

OPTIONS: (for pricing see pages 18 & 19 of Item Price List)

Switch setting to customers specification	99 100 660
Hysteresis setting to customers specification	99 100 661
DIN 43650 Connector with 4 terminals	845 200 001
DIN 43650 Connector with 2 LED's status Indication (24VDC)	845 200 011
DIN 43650 Connector with 2 LED's status Indication (250 VAC)	845 200 240

Warning! When using with oxygen, the relevant accident-prevention regulations must be observed. In addition, we recommend that a maximum operating pressure of 5,000 kPa (725 PSI) is not exceeded. All prices exclude GST. We reserve the right to change technical specifications & prices without prior notice.